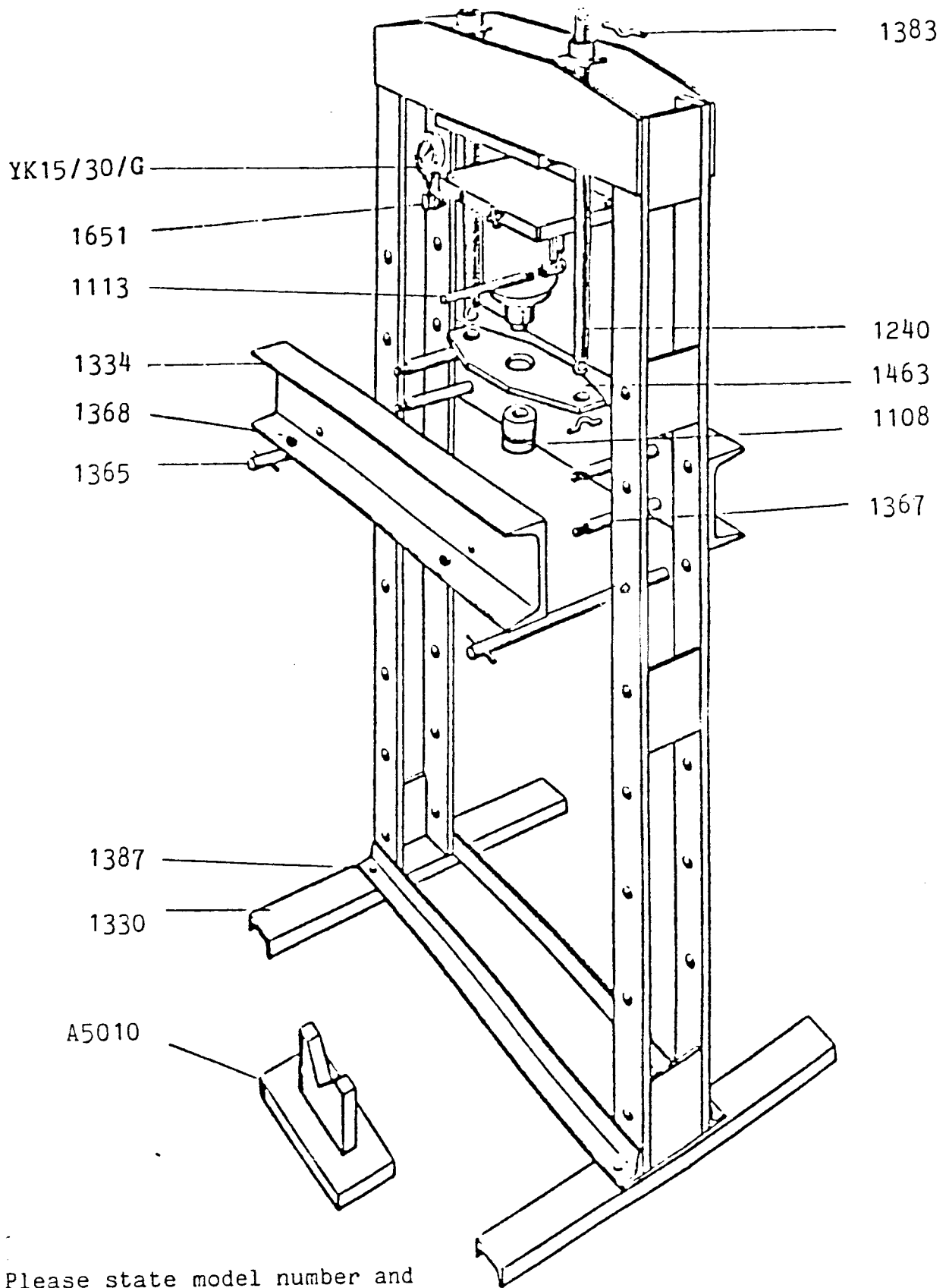


YK15/YK30 FRAME



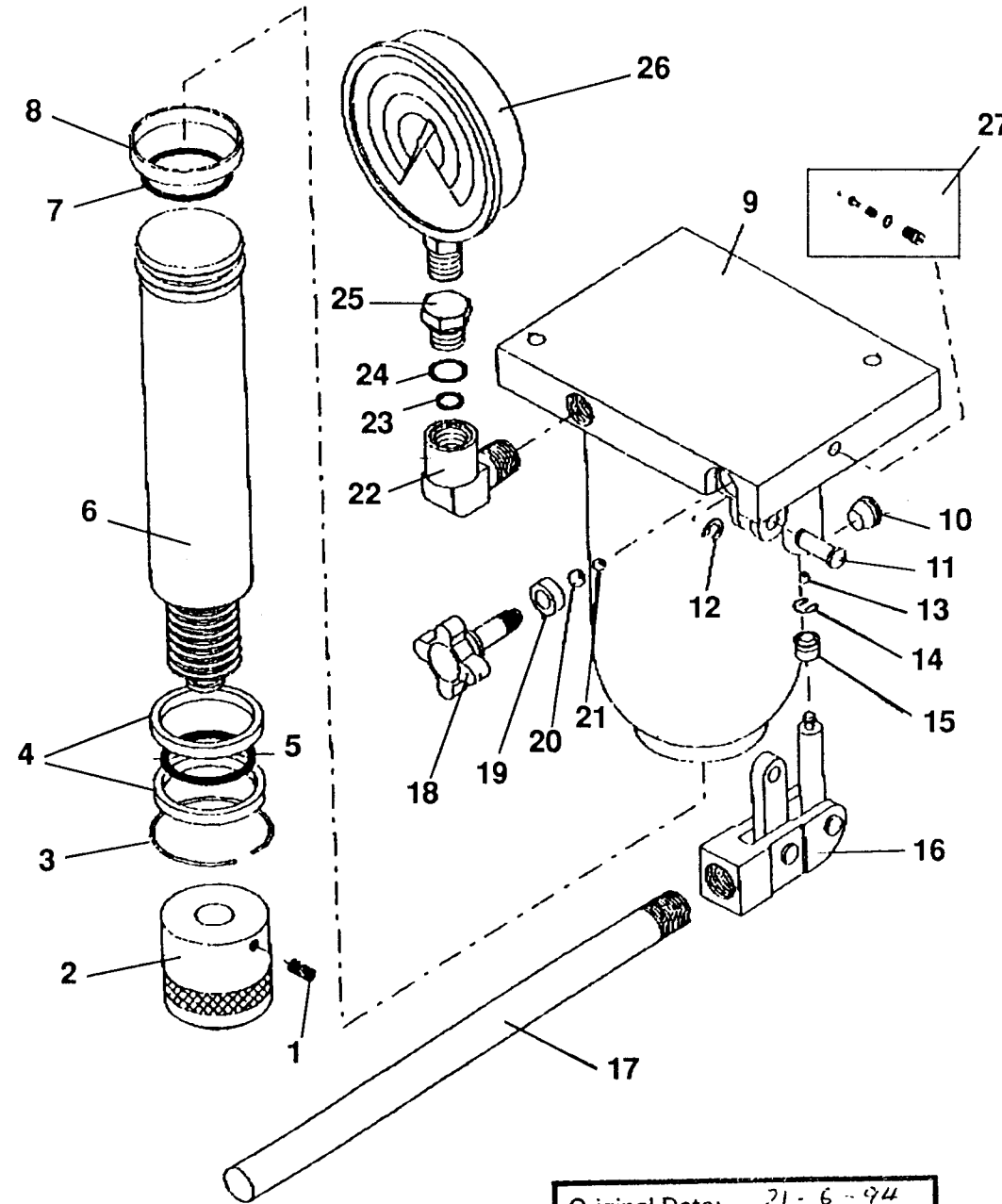
Note: Please state model number and part number when ordering spare parts.

YK15 / YK 30 HYDRAULIC UNIT (FROM 7/94)

POS.	PART NO.	DESCRIPTION
1	MGK/01	SCREW, HEADLESS ALLEN FITTING
2	MGK/02	SADDLE
3	MGK15/03	PISTON LOCKING RING
	MGK30/03	PISTON LOCKING RING
4	MGK15/04	PISTON GUIDE, SELF-LUBRICATED RING
	MGK30/04	PISTON GUIDE, SELF-LUBRICATED RING
5	MGK15/05	O-RING
	MGK30/05	O-RING
6	MGK15/06	RAM
	MGK30/06	RAM
7	MGK15/07	O-RING
	MGK30/07	O-RING
8	MGK15/08	SEAL
	MGK30/08	SEAL
9	MGK15/09	BASE/CYLINDER ASSEMBLY
	MGK30/09	BASE/CYLINDER ASSEMBLY
10	MGK/10	FILLER PLUG
11	MGK/11	PIN, HANDLE SOCKET RETAINING
12	MGK/12	CIRCLIP,PIN,HANDLE SOCKET RET.
13	MGK/13	BALL,PUMP PLUNGER SIDE
14	MGK/14	BALL RETAINING RING
15	MGK/15	SEAL, PUMP PLUNGER
16	MGK/16	HANDLE SOCKET ASSEMBLY
17	MGK/17	HANDLE, PUMPING
18	MGK/18	RELEASE VALVE
19	MGK/19	SEAL, RELEASE VALVE
20	MGK/20	BALL,RELEASE VALVE
21	MGK/21	BALL,RELEASE VALVE
22	MGK/22	ELBOW JOINT
23	MGK/23	O-RING
24	MGK/24	O-RING
25	MGK/25	PLUG, GAUGE ELBOW FITTING
26	YK15/30/G	GAUGE, YK15/YK30
27	MGK/SV	SAFETY VALVE

MGK15/HYD UNIT	HYDRAULIC UNIT COMPLETE - YK15 (FROM 7/94)
MGK15/RK	*REPAIR KIT (YK15 FROM 7/94)
MGK30/HYD UNIT	HYDRAULIC UNIT COMPLETE - YK30 (FROM 7/94)
MGK30/RK	*REPAIR KIT (YK30 FROM 7/94)

* REPAIR KITS CONTAIN POS. 3,4,5,7,8,10,15,19,23,24.



Original Date:	21-6-94
Issue Date:	21-6-94
Version Number:	0
Date Modified:	N/A