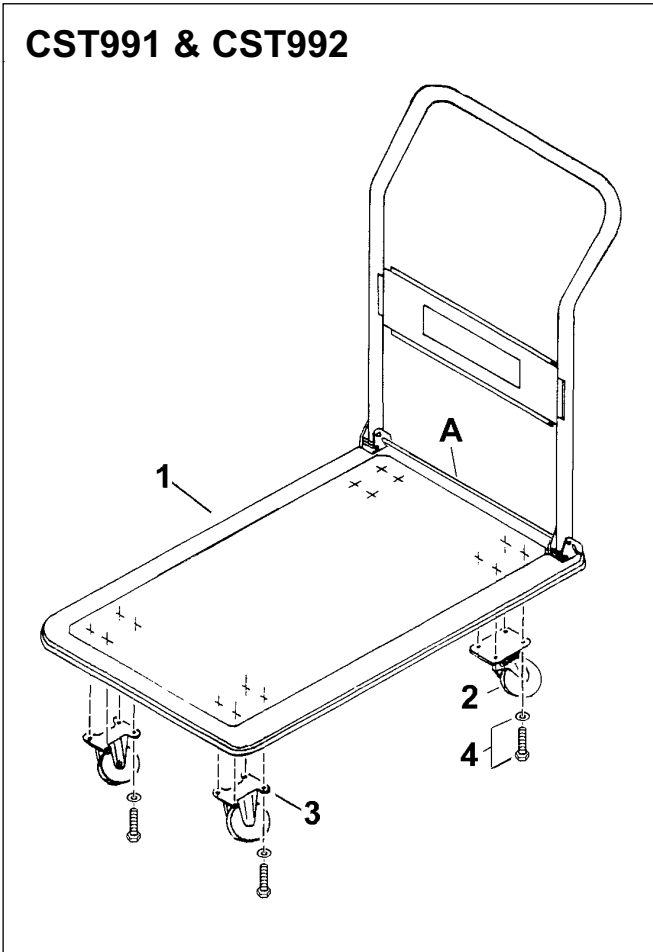
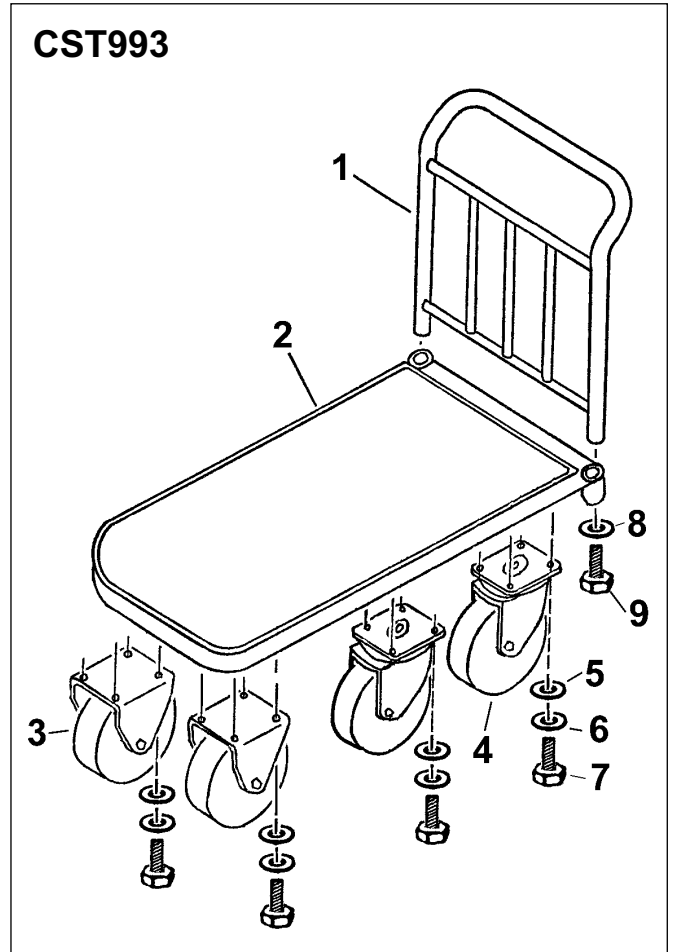


CST991 & CST992



| Item | Part No. | Part No. | Description |
|------|-----------|-----------|----------------------|
| 1 | CST991/01 | CST992/01 | Body |
| 2 | CST991/02 | CST992/01 | Swivel Castor |
| 3 | CST991/03 | CST992/01 | Fixed Castor |
| 4 | CST991/04 | CST992/01 | Bolt & Spring Washer |

CST993



| Item | Part No. | Description |
|------|-------------|---------------------|
| 1 | CST993V2/01 | Handle |
| 2 | CST993V2/02 | Body |
| 3 | CST993V2/03 | Fixed Castor |
| 4 | CST993V2/04 | Swivel Castor |
| 5 | CST993V2/05 | Plain Washer, 10mm |
| 6 | CST993V2/06 | Spring Washer, 10mm |
| 7 | CST993V2/07 | Bolt, M10 |
| 8 | CST993V2/08 | Plain Washer, 12mm |
| 9 | CST993V2/09 | Bolt, 12mm |

Version No: 1
Date Issued: 110901